

HS[®]-Demarcation Control Chamber for Easy Access



The HS[®]-Demarcation

Quick and easy access



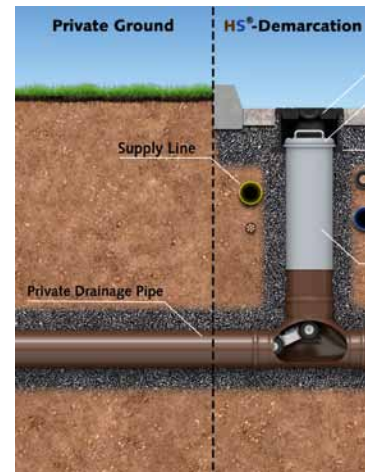
The Product

The HS[®]-Demarcation Control Chamber allows Water Companies and Local Authorities quick and easy access into public and private sewer and drainage networks. The condition of the pipe work and sewer connection can be inspected at any time without requiring access onto private property. The HS[®]-Demarcation Control Chamber is suitable for inspecting, rodding and jetting and can be utilised to carry out air tests. The double swept angle of the T-Section base unit provides easy access for CCTV-Cameras in both directions. The dimension of the cast iron cover and frame of 300 mm x 300 mm enables the chamber to be situated perfectly in any footpath or block paved surface. The HS[®]-Demarcation Control Chamber Set comprises: Class B 125: Lockable Cast Iron Cover and Frame with integrated mini telescope and K 90 chamber base unit. Class D 400: Lockable Cast Iron Cover and Frame with load bearing plate, telescopic pipe with integrated cap (to avoid foul odours) and K 90 chamber base unit.

The Cast Iron Cover Class D 400 is lockable and can be marked in the colours blue (rainwater) or brown (foul water). The telescopic pipe (with its cap to avoid risk of foul odours) is load bearing and avoids loads being placed directly onto the chamber base unit and riser pipe. The riser pipe is supplied in DN/OD 200 mm (not part of the set, use HS[®]-Pipe DN/OD 200). The base unit range contains an HS[®]-Junction K 90 base unit with 45° side inlets and a straight version. The base units are available in the dimensions DN/OD 160 and



DN/OD 200 straight, left inlet and right inlet. The HS[®]-Demarcation Chamber can be used as a control access point and allows jetting and rodding in all directions due to its special designed base units. The chamber can also be used as an inspection chamber on private property. In combination with the HS[®]-VARIOcoupler (the integrated adjustable socket of the VARIOcoupler allows flexible pipe connections from 0° to 11°) the HS[®] K 90 base unit can be exactly adjusted to allow for gradients or slopes in the pipeline or ground level.



The double swept angle of the T-Section base unit provides easy access for CCTV-Cameras in both directions.

Class B 125



The Sets (Examples)

Set 160 G Class B 125. The set 160 G contains HS-Junction K 90 base unit 160 G (straight through) and a Class B 125 Cast Iron Cover and Frame with integral short telescope.*

Class D 400



Set 160 G Class D 400. The set 160 G contains HS-Junction K 90 base unit 160 G (straight through), a load bearing plate and a Class D 400 Cast Iron Cover and Frame with a telescopic pipe.*

Class D 400



Set 160 R Class D 400. The set 160 R contains HS-Junction K 90 base unit 160 R (right entry), a load bearing plate and a Class D 400 Cast Iron Cover and Frame with telescopic pipe.*

*use HS[®] DN/OD 200 pipe as riser pipe

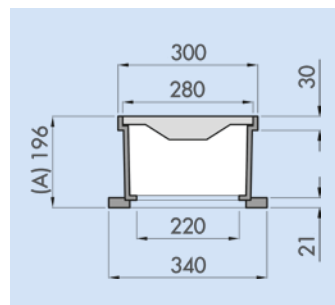
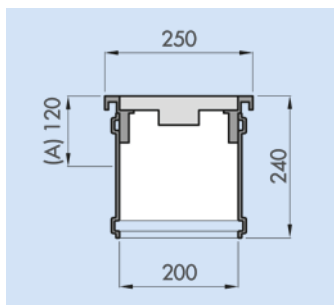
Control Chamber into sewer and drainage networks



Installation Instructions (Cast Iron Cover Class D 400)

The K 90 base unit is installed onto the prepared trench bedding (**Picture 1**). For bedding material we advise use of crushed stone, gravel or pea shingle with a size of 0-32 mm. Other utility services (Gas, Water, Electric...) often found in city centres can cause difficulties during installation and hence the chamber base unit requires precise measurements prior to installing.

The distance between the top level of the foot path and the top level of the riser pipe should be approximately 300 mm (**Picture 2**). The grey telescopic pipe is installed on the riser pipe (**Picture 3**). The backfill can be installed after the vertical adjustment of the telescopic pipe (**Picture 4**). After sufficient compacting of the backfill, in layers up to the bottom of the telescopic pipe (**Picture 5**), the top of the telescopic pipe has to be adjusted with a space of 8 cm to foot path level (**Picture 6**). After installing of warning tape (**Picture 7**) the backfilling should be completed. Please check again space between top of telescopic pipe and foot path level (8 cm) (**Picture 8**). Check that the space between load bearing plate and the level of foot path is 17,5 cm (**Picture 9**). The bolts of the telescopic pipe must pass through the spaces in the cast iron cover and frame (**Picture 10**). Twist the cover and frame by 90° (left or right) to lock into place (**Picture 11**). The cover and frame should



Cross section of HS®-Demarcation Control Chamber class B 125 (dimensions in mm).

Cross section of HS®-Demarcation Control Chamber class D 400 (dimensions in mm).

then be placed parallel to any proposed paving installation to ensure a perfect finish of the installation (**Picture 12**). If the HS®-Demarcation Chamber is installed on a gradient adjust the cast iron cover and frame to match the ground level (**Picture 13**). The square measurements of 300 x 300 mm allow an easy and harmonic installation into any type of paving or surface finish.

The Details

The **HS®**-Junction K 90 base unit is available in a variety of versions (see table below) in the colours blue (surface water) or brown (foul water). The diameter of the riser pipe is standard at 200 mm (use HS DN/OD 200 pipe). The riser pipe is not part of the set. Purchase separately.

DN/OD	Cast Iron Cover Class	A	B	L
160 G	B	120	205	295
	D	196		
200 G	B	120	280	350
	D	196		
160 L or 160 R	B	120	240	238
	D	196		
200 L or 200 R	B	120	305	297
	D	196		

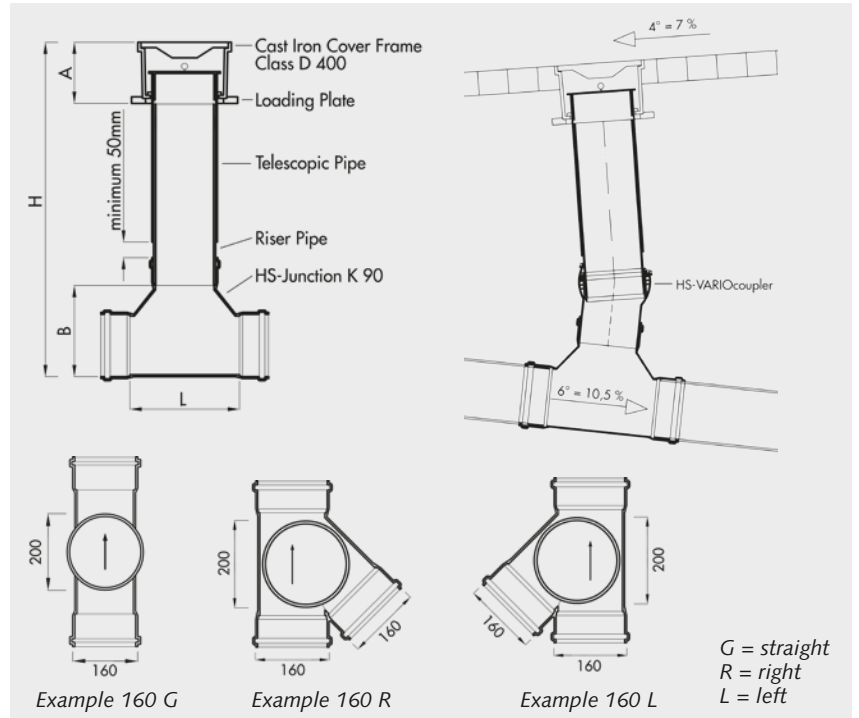
Riser Pipe DN/OD 200

Calculation of the riser pipe length HS®-Demarcation Control Chamber 160 G Class B

Example: Installation Depth H=1500 mm
(Ground Level to Base of K 90 Junction)

$$X = H - A - B$$

$$\text{Riser Pipe Length } X = 1500 - 120 - 220 = 1160 \text{ mm}$$



Advantages

- Cast iron cover and frame in load bearing classes B 125 and D 400 available.
- Ideal for use in city centres. The small dimension of the Chamber System (Riser Pipe DN 200 mm) enables an easy installation even in areas with crossing utility services. The Cast Iron Cover Class D 400 has the dimensions of 300 x 300 mm and allows an easy and perfect installation into any type of paving or surface finish.
- Allows quick and easy access into public and private sewer and drainage networks without entering private property (e.g. industrial or private property).
- Access into private part of the drainage network from the foot path at any time.
- Easy identification due to colour code in the Cast Iron Cover and of the screw cap (blue = rainwater / brown = foul water).
- Cast Iron Cover Class D 400 with integrated lift-up and lockable lid (bayonet locker 19 mm tool) and is therefore vandal and child proof.
- Easy adjustment to required installation depth due to quick cutting of riser pipe and adjustment option of the telescopic pipe.
- Access for CCTV-Cameras due to special **HS®**-Junction K 90 design, 600 mm Radius.
- **HS®**-Junction K 90 with DIBt-Approval (Z-42.1-309).
- Quick and easy installation.

Locking bolt
for Cover Frame

Colour Markers

Telescopic Pipe

Crew Cap for Telescopic Pipe

HS-VARIOcoupler socket/spigot

